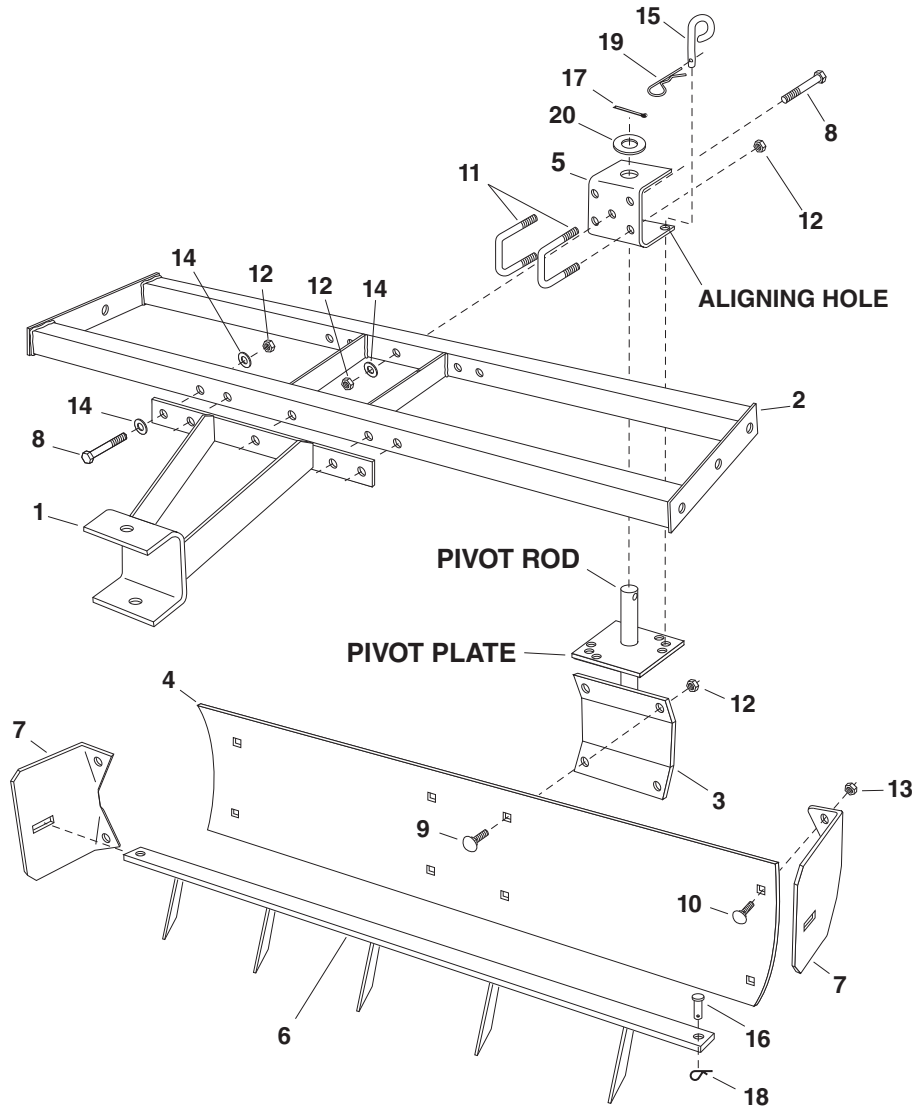


REPAIR PARTS FOR 45-02651 BOX SCRAPER/GRADER BLADE



REF.	PART NO.	QTY.	DESCRIPTION	REF.	PART NO.	QTY.	DESCRIPTION
1	63656	1	Hitch Assembly	12	HA21362	14	Nylock Nut, 3/8-16 Thread
2	64279	1	Frame Assembly	13	47810	4	Nylock Nut, 5/16-18 Thread
3	63506	1	Pivot Reinforcement Bracket Assy.	14	43070	11	Washer, 3/8" Std. Wrt.
4	24233	1	Blade	15	43038	1	Pivot Lock Pin
5	24231	1	Clevis Bracket	16	44044	2	Clevis Pin, 3/8" x 3/4" Lg.
6	63507	1	Scarifier Assembly	17	46855	1	Cotter Pin, 3/16" x 2" Lg.
7	24237	2	Box End Plate	18	43055	2	Hairpin Cotter, 3/32" #3
8	43432	6	Hex Bolt, 3/8-16 x 2-1/2" Lg.	19	43343	1	Hairpin Cotter, 1/8" #4
9	43350	4	Carriage Bolt, 3/8-16 x 1" Lg.	20	23336	1	Washer, Special
10	44326	4	Carriage Bolt, 5/16-18 x 1" Lg.		48286	1	Owners Manual
11	46853	2	U-Bolt, 3/8-16				